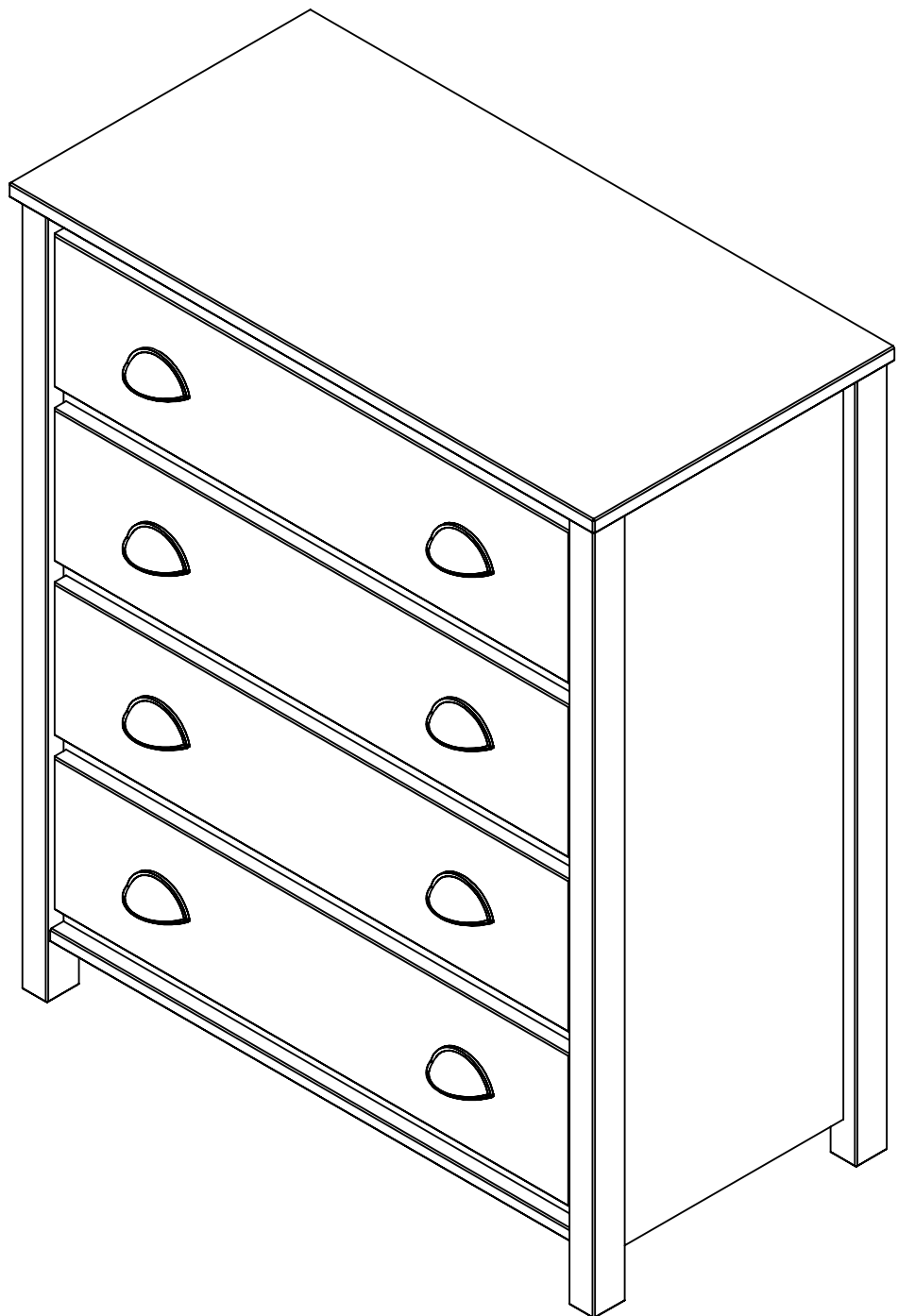
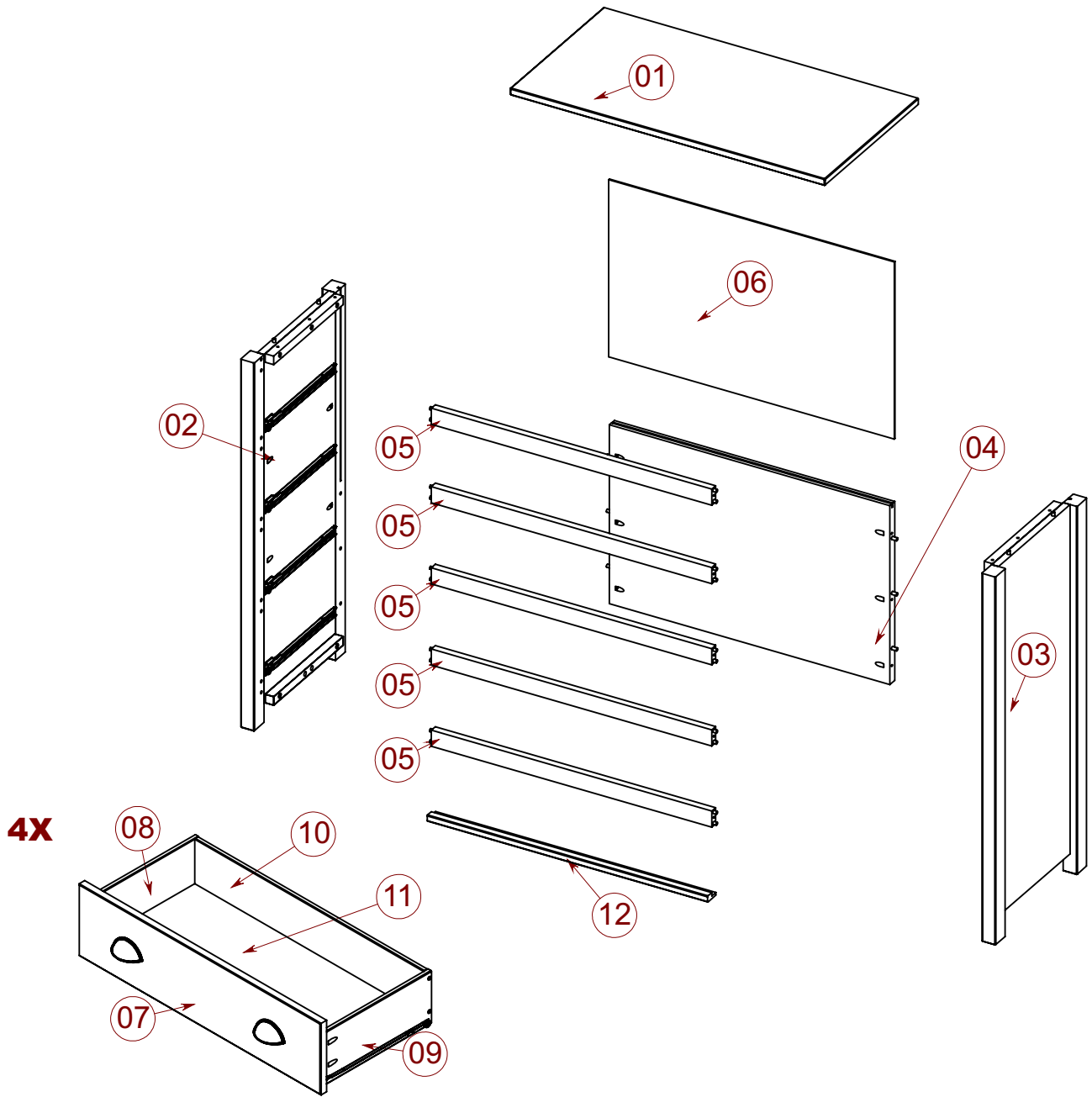


ASSEMBLY INSTRUCTIONS


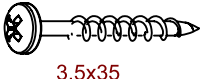


4 DRAWERS CHEST



COMPONENTS

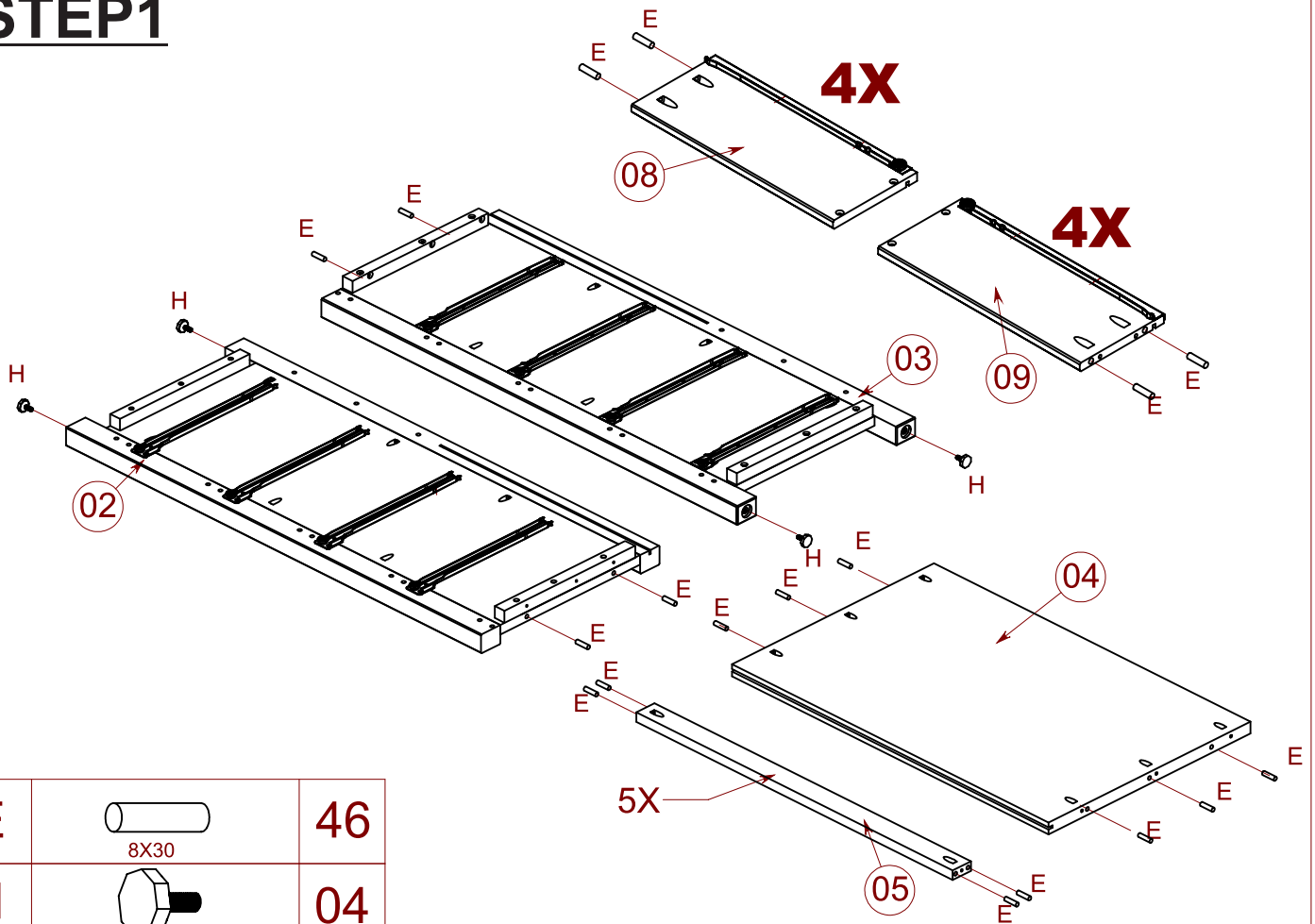


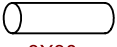

HARDWARE

A		14
B	 3,5x35	54
C	 3x20	14
D	 3,5x25	03

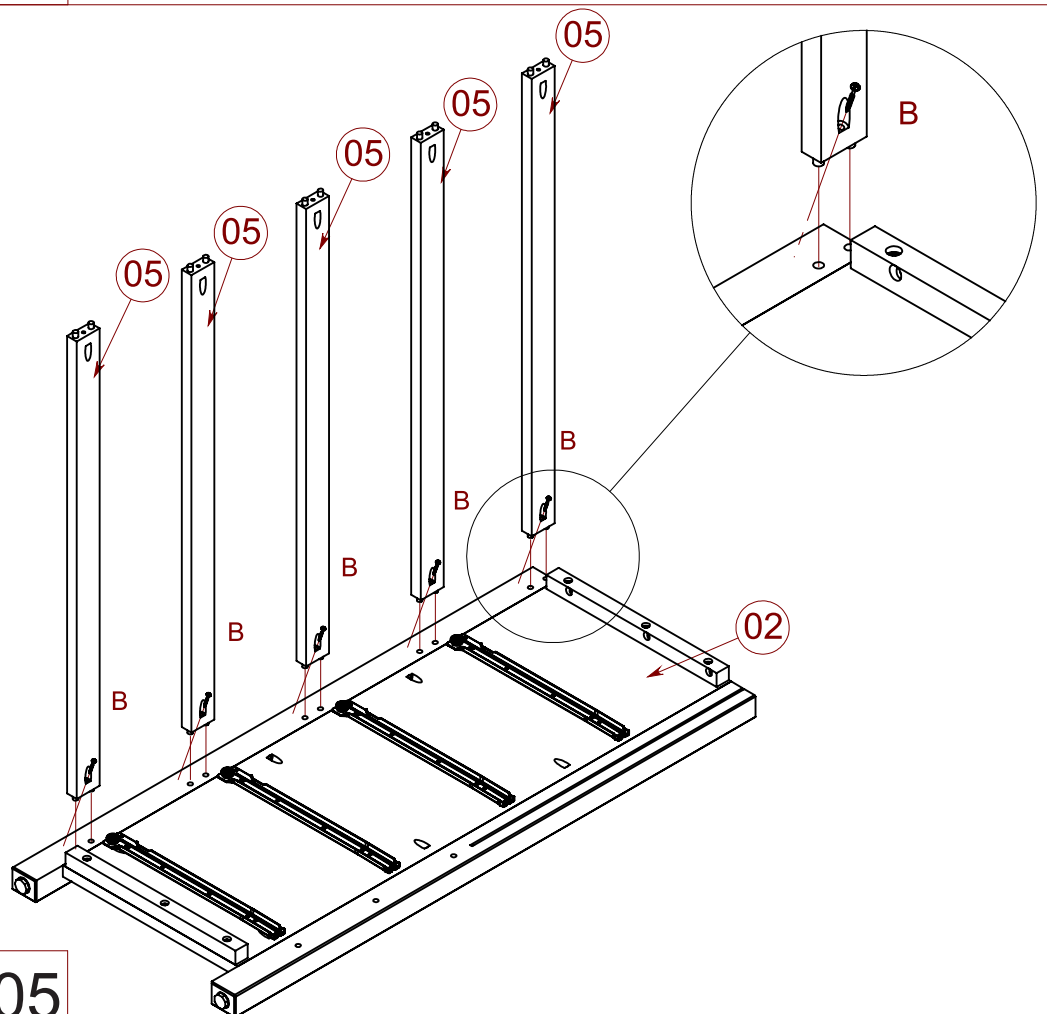
E	 8X30	46
F		08
G	 M4x25	16
H		04
I	ANTI-TIPPING KIT	01

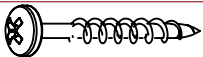
STEP 1



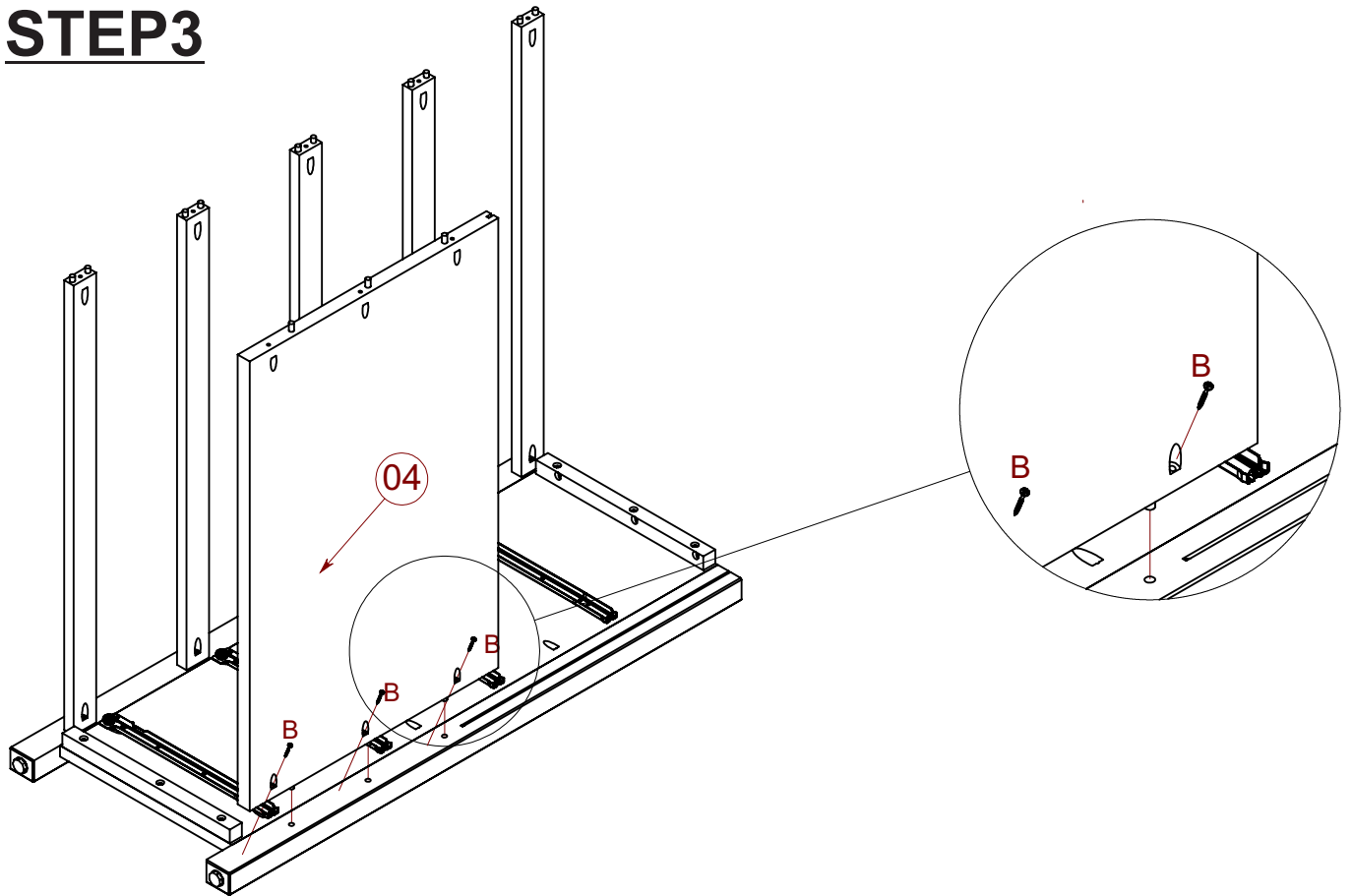
E	 8X30	46
H		04

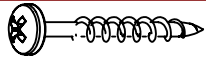
STEP 2



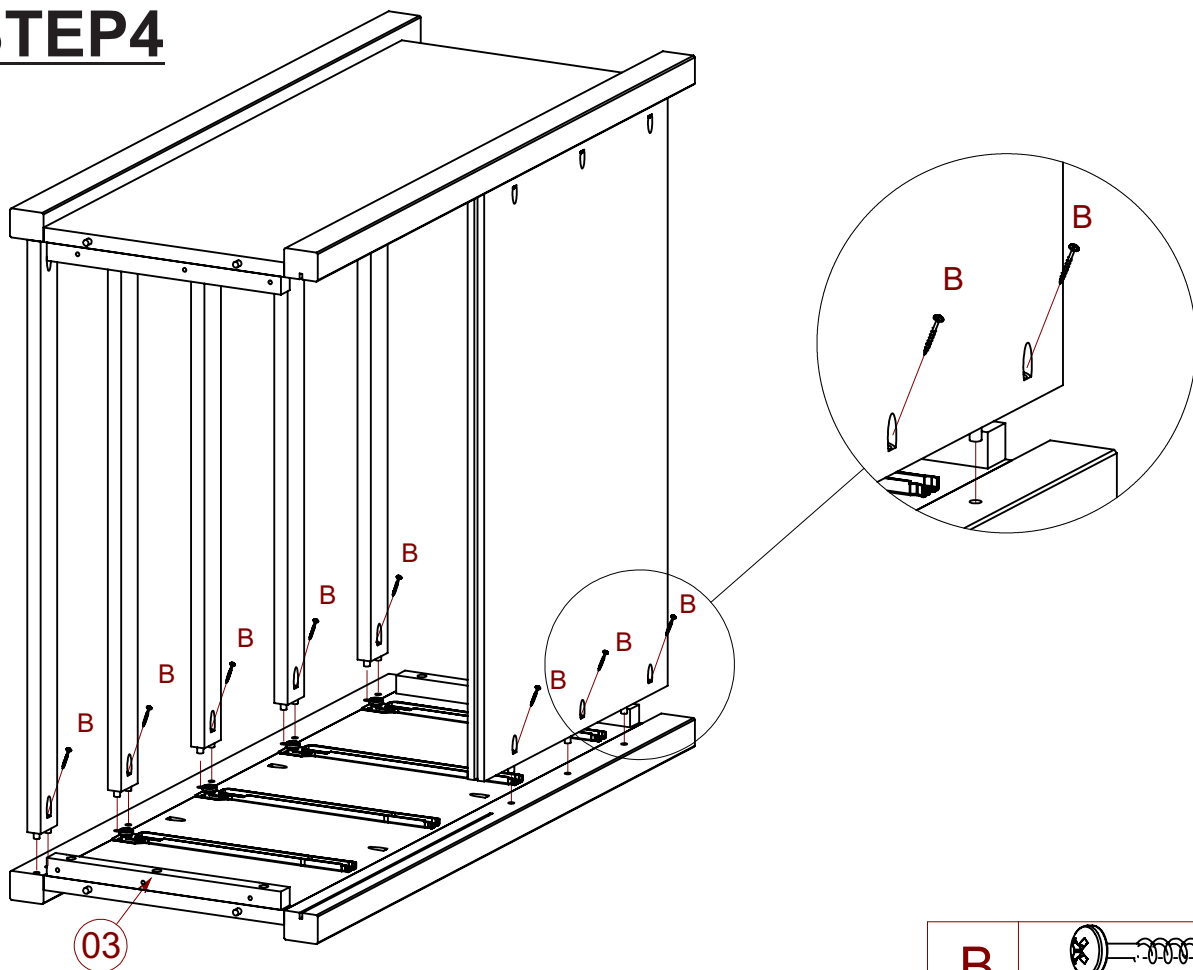
B	 3,5x35	05
---	-----------------------------------------------------------------------------------------------	----

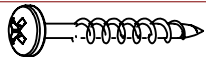
STEP3



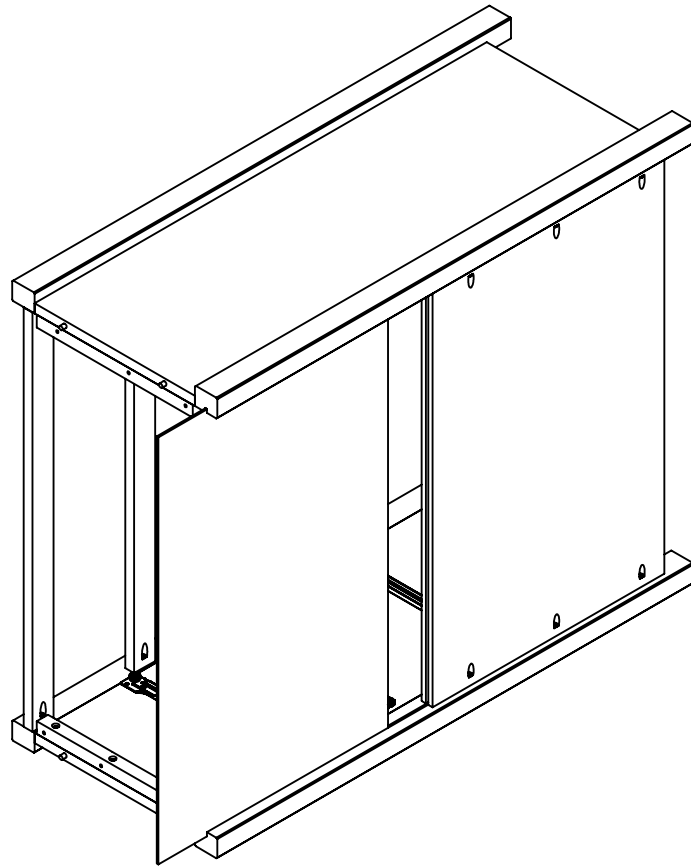
B	 3,5x35	03
---	-------------------------------------------------------------------------------------------------	----

STEP4

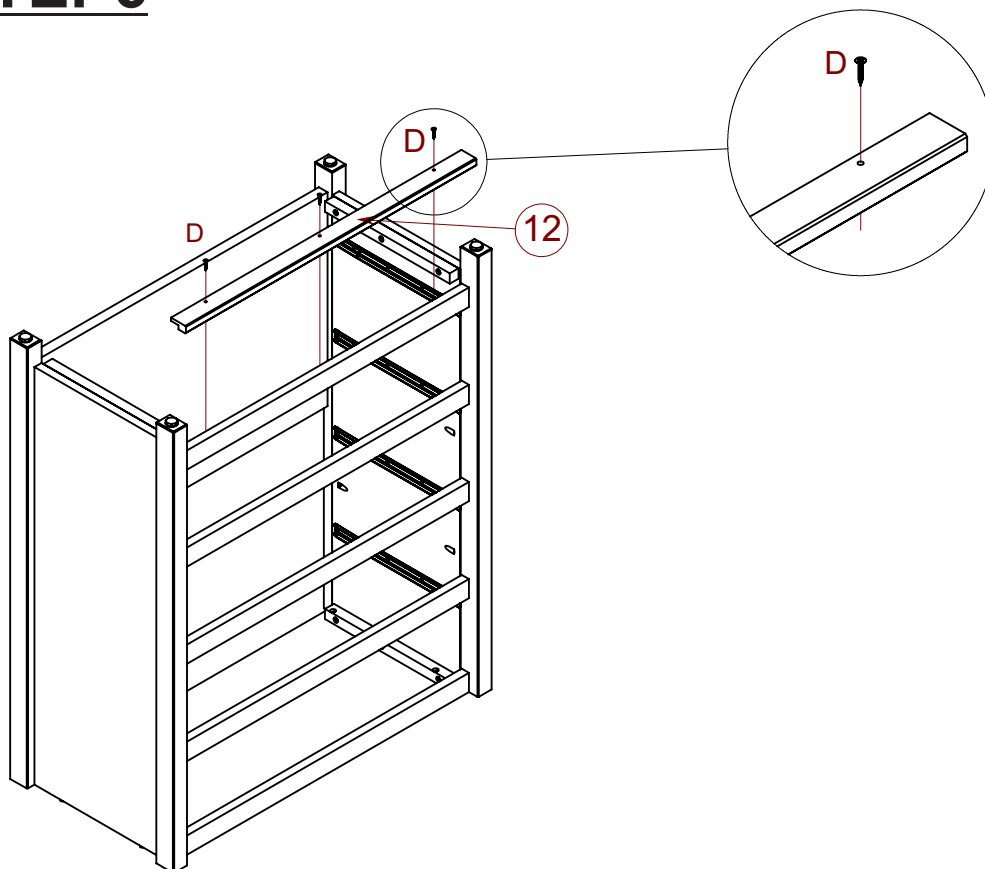


B	 3,5x35	08
---	-------------------------------------------------------------------------------------------------	----

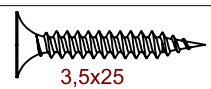
STEP 5



STEP 6



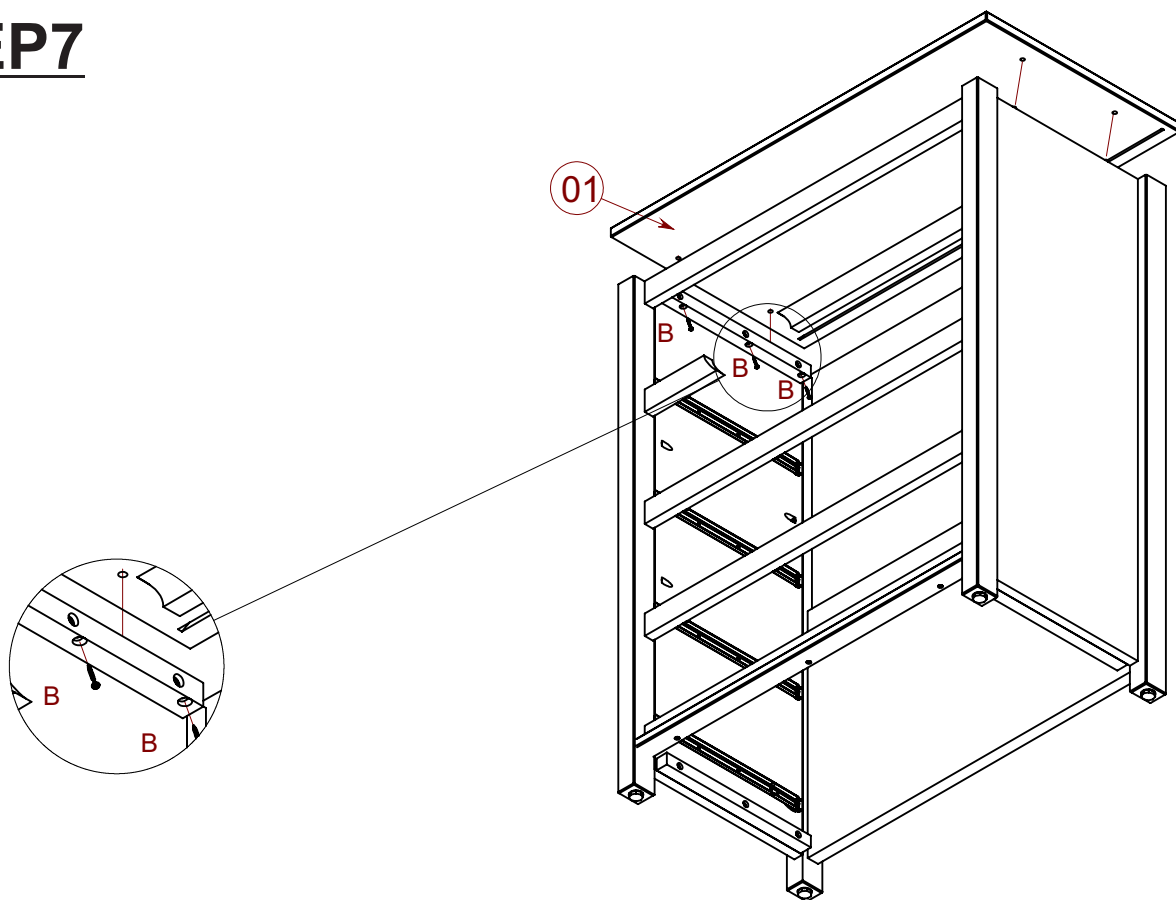
D



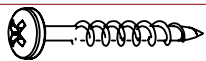
3,5x25

03

STEP 7



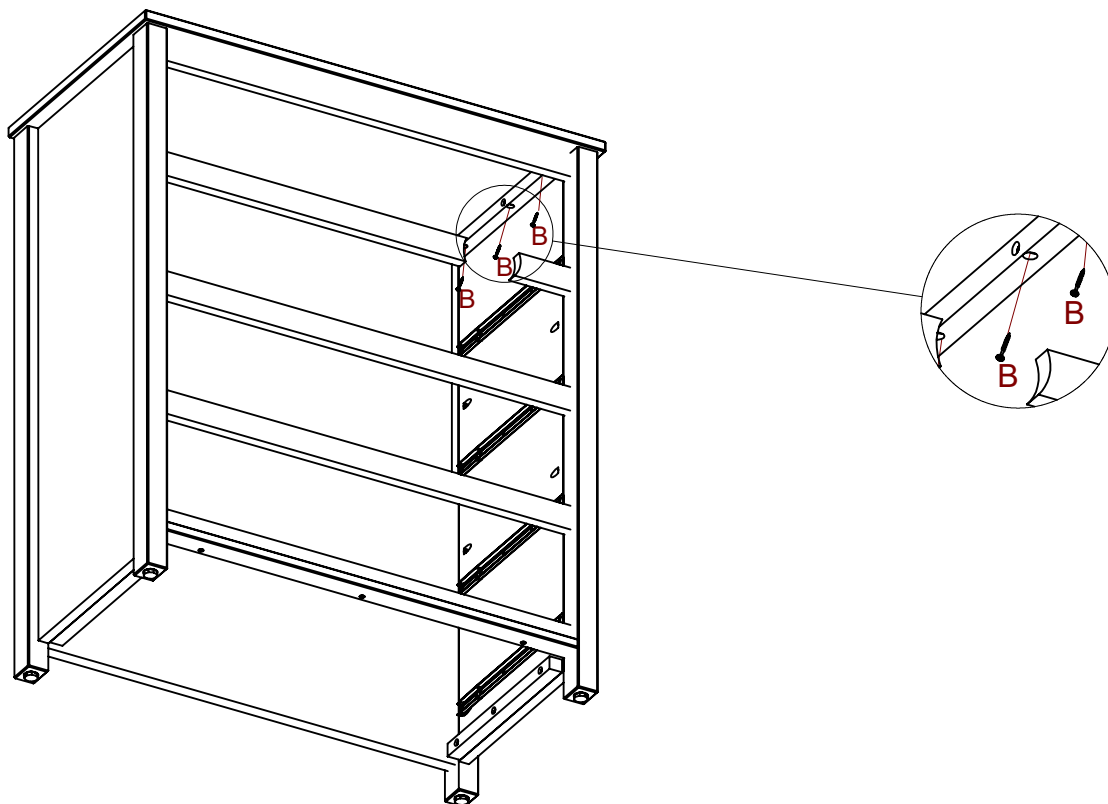
B



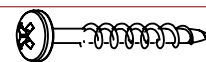
3,5x35

03

STEP 8



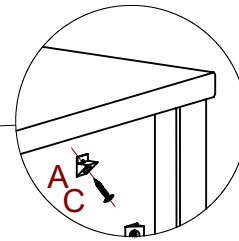
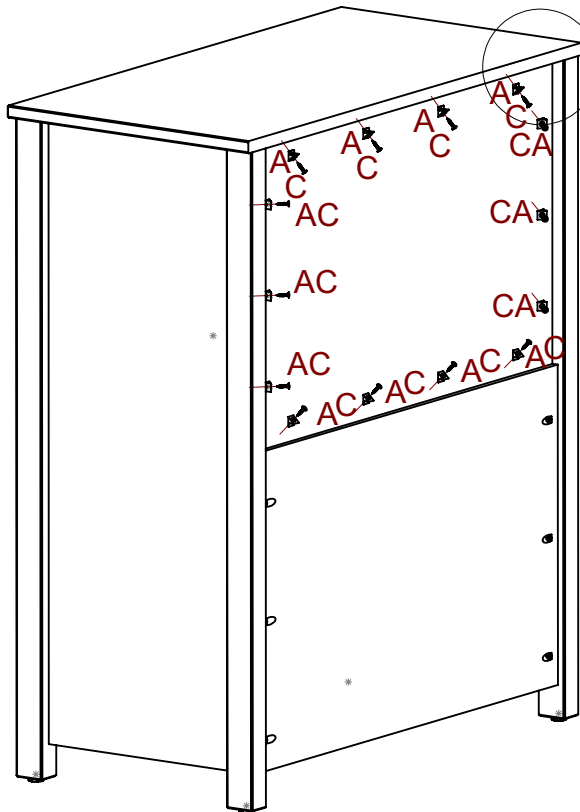
B

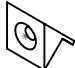
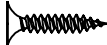


3,5x35

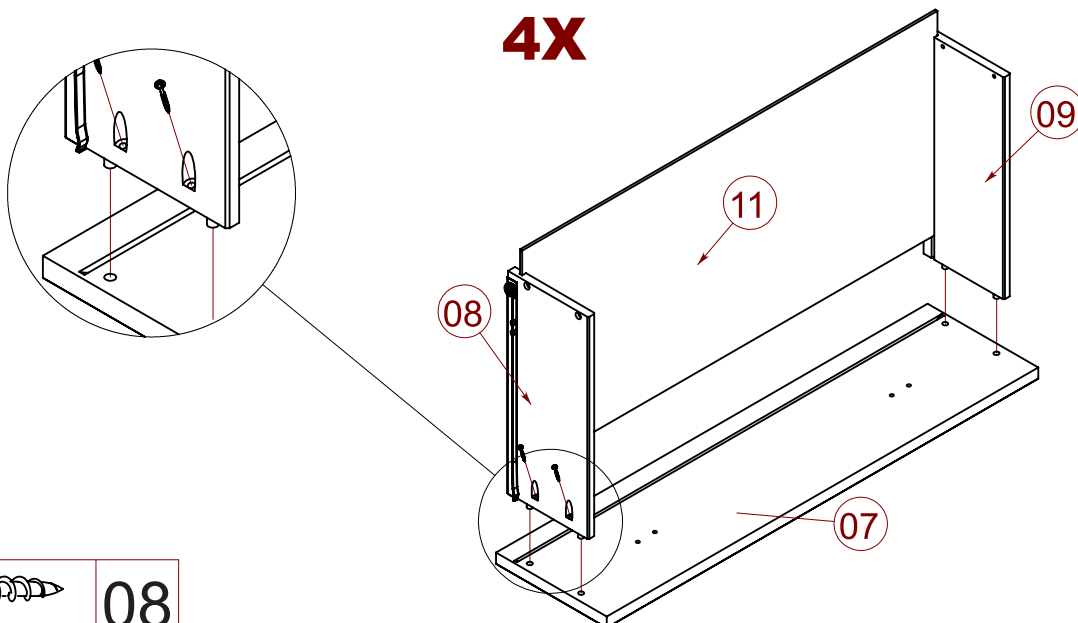
03

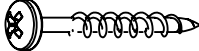
STEP9



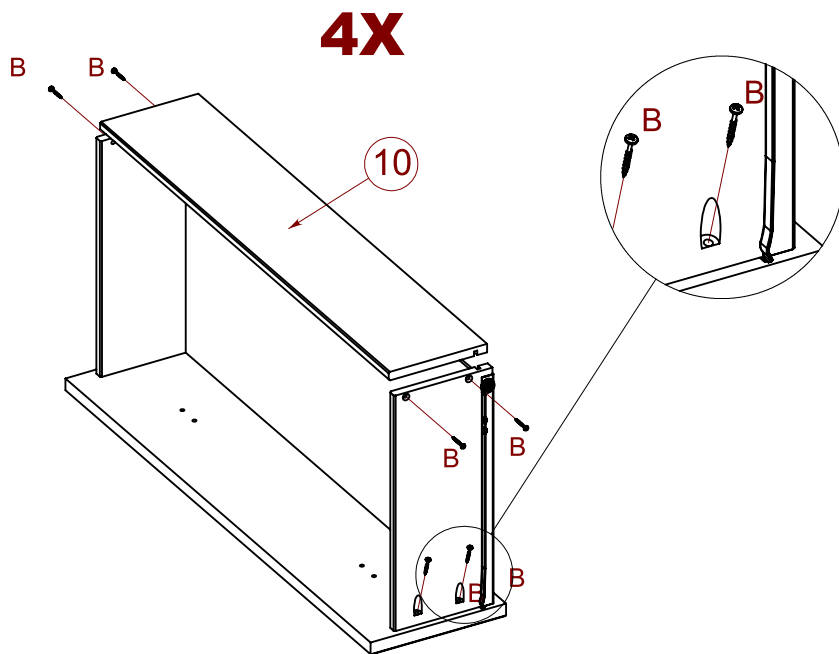
A		14
C	 3X20	14


STEP10



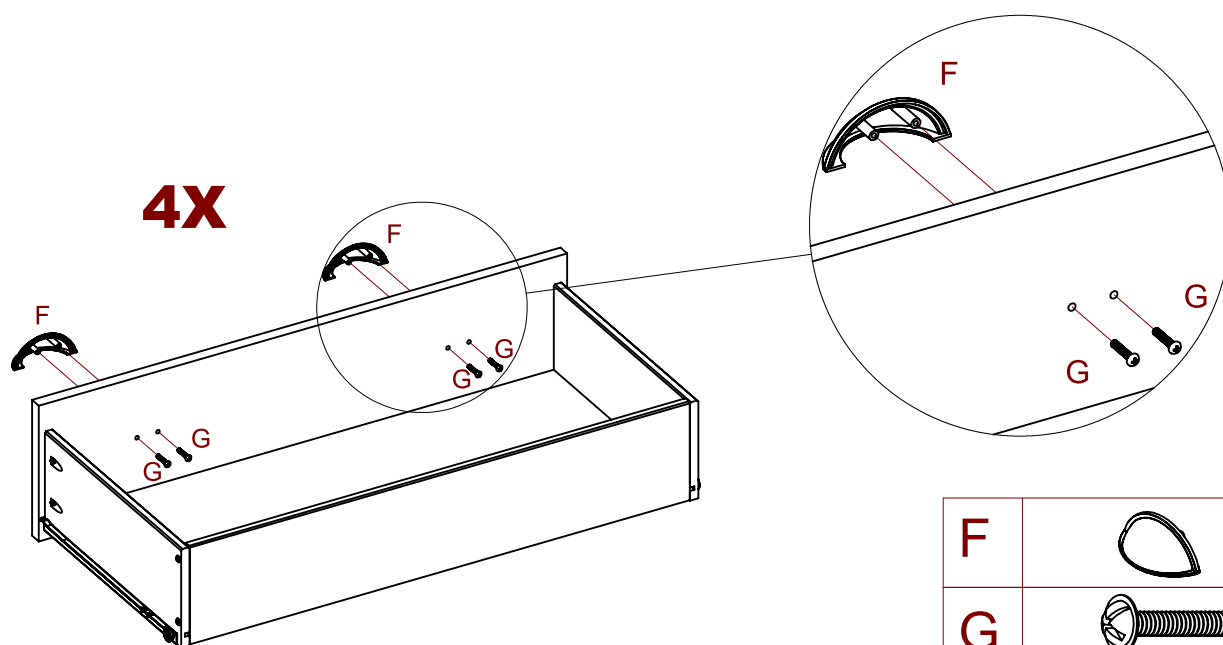
B	 3,5x35	08
---	-----------------------------------------------------------------------------------------------	----



STEP11



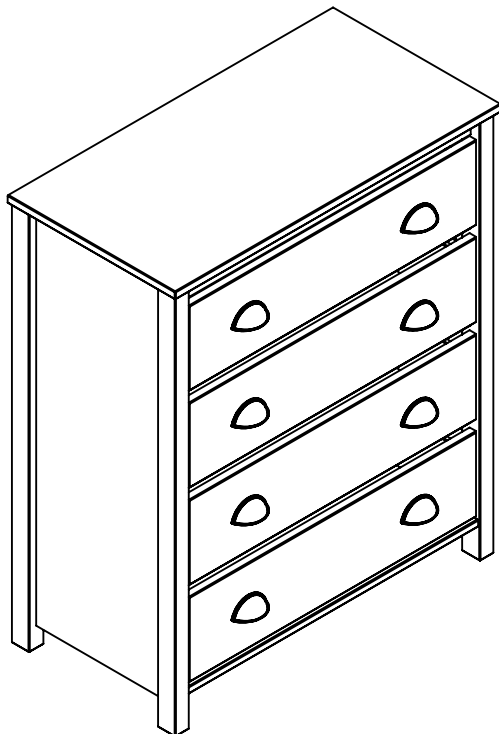
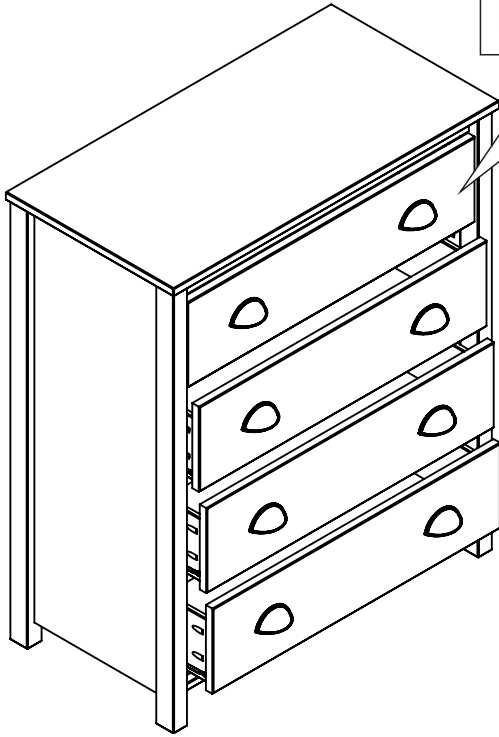
B	 3,5x35	24
---	-------------------------------------------------------------------------------------------------	----

STEP12







F		08
G	 M4x25	16

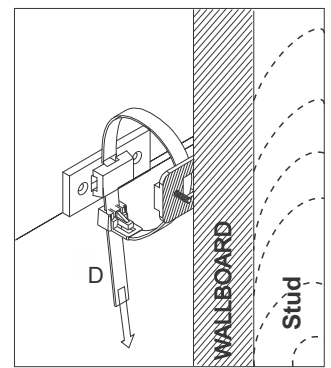
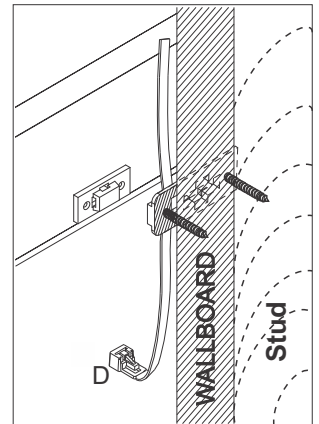
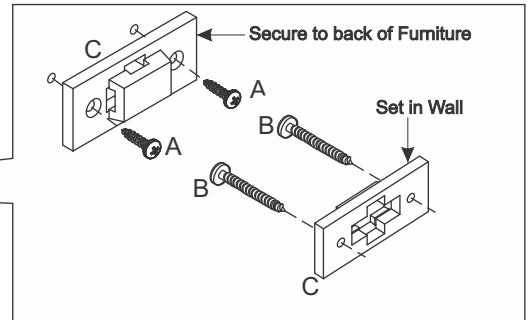
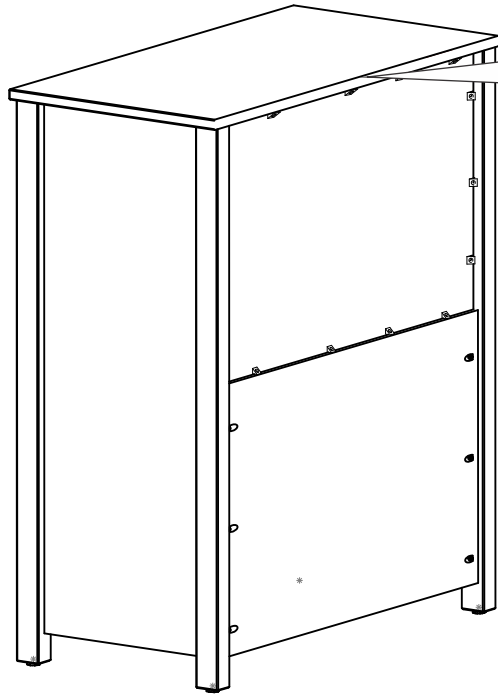
PLACE
DRAWER WITH
WARNING
LABEL AT TOP.



“ | ” - ANTI-TIPPING KIT

A	 <p>3,5x16 Screw</p>	02	C	 <p>Plastic wall bracket</p>	02
B	 <p>3,5x30 Screw</p>	02	D	 <p>Nylon strap 140mm</p>	01

Secure to Stud behind Wallboard.



Secure to Stud behind Wallboard!

⚠ WARNING




Children have died from furniture tipover. To reduce the risk of furniture tipover:

- ALWAYS install tipover restraint provided.
- NEVER put a TV on this product.
- NEVER allow children to stand, climb or hang on drawers, doors, or shelves.
- NEVER open more than one drawer at a time.
- Place heaviest items in the lowest drawers.

This is a permanent label. Do not remove!

